

RAVELL®

CEILING LIFT W-850



The RAVELL® W-850 ceiling lift lowers multimedia projector suspended from the ceiling to its working position. It increases the aesthetic appearance of the room causing, the projector to remain invisible until it is in use.

Additionally, the projector is protected from unwanted operations.

APPLIANCE:

- STANDARD, for business solution – operating range 0-850 mm





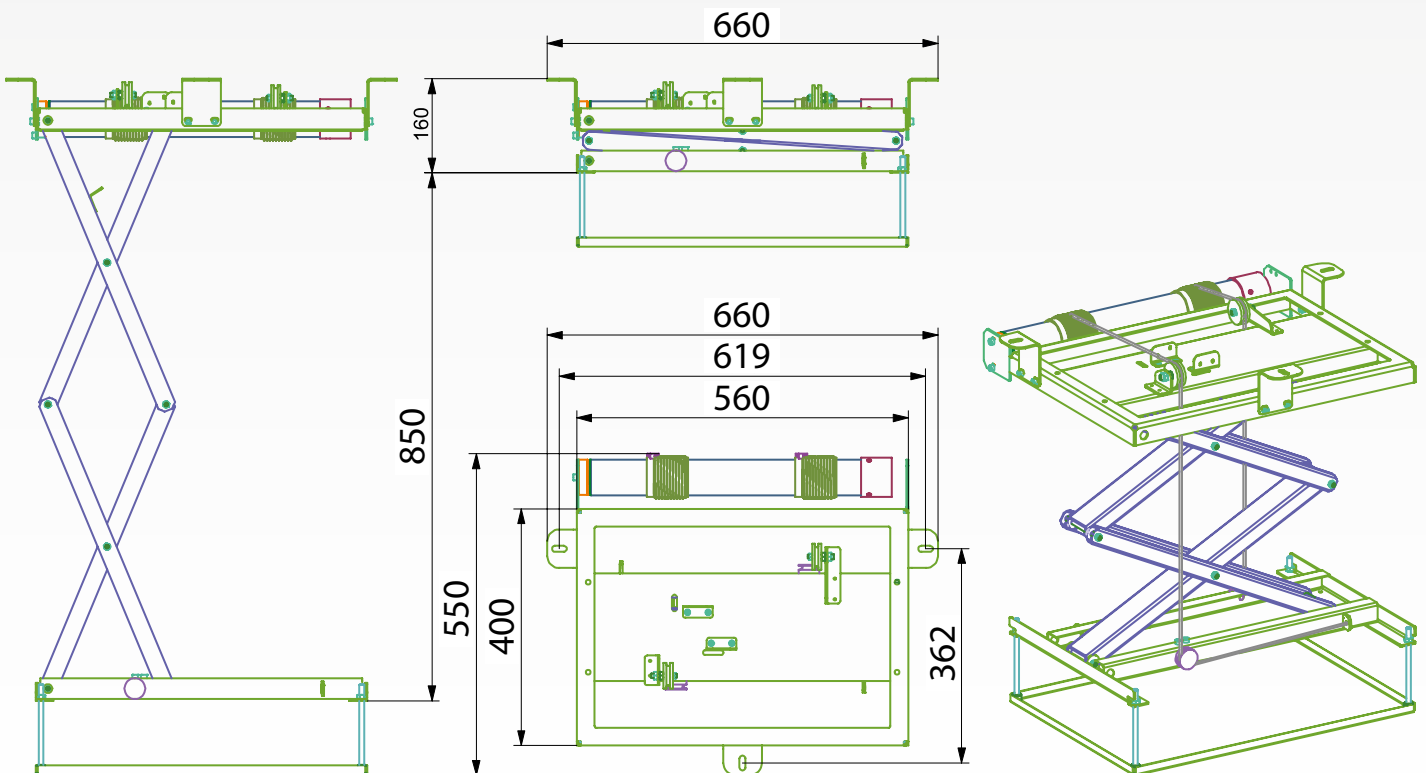
CEILING LIFT W-850

ADDITIONAL ACCESSORIES:

- required length assembly spacers,
- wireless control IR, RF or RS-232,
- projector masking,
- safety and precision is guaranteed by a double limit switch system,
- easy to operate.

MAIN FEATURES:

- construction based on a three-horizontal-frame system. The system is moved by a precise,
- single scissor lift,
- low speed winch with winding lowers and lifts the construction,
- 100% repeatability,
- silent and smooth rope drive,
- covering in black, white, silver powder coating (of custom – other colours available. From RAL palette),
- aesthetic and precise finish.



Dimensions	Max range	Max lifting weight	Unit weight	Rated voltage/frequency
660x550x165 mm	850 mm	50 kg	26 kg	230 V/50 Hz