

INTELLIGENT AUDIO-VIDEO AUTOMATIC

RAVELL®

CEILING LIFT WS-391



The RAVELL® WS-391 ceiling lift lowers multimedia projector suspended from the ceiling to its working position. It increases the aesthetic appearance of the room causing, the projector to remain invisible until it is in use.

Additionally, the projector is protected from unwanted operations.

APPLIANCE:

- SLIM, for home cinema – operating range 0-390 mm

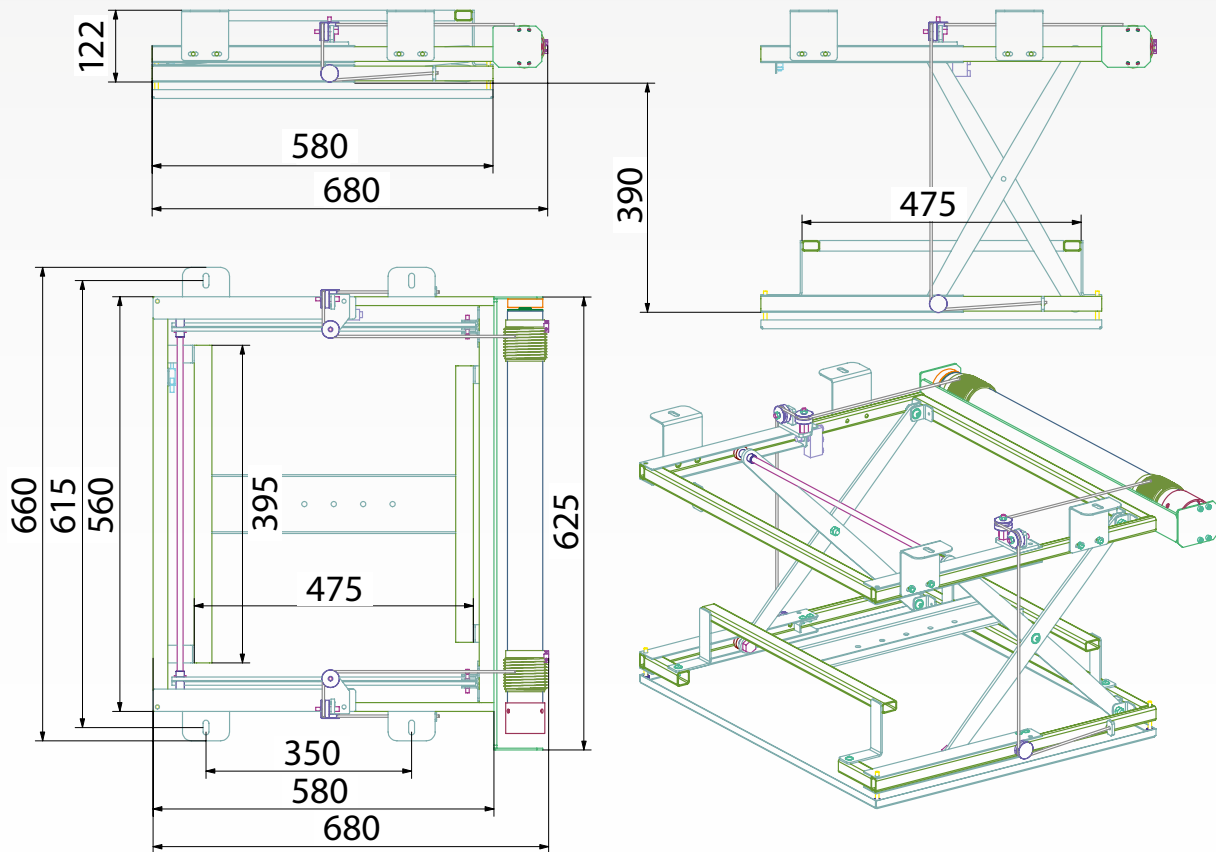


ADDITIONAL ACCESSORIES:

- required length assembly spacers,
- wireless control IR, RF or RS-232,
- projector masking,
- safety and precision is guaranteed by a double limit switch system,
- easy to operate.

MAIN FEATURES:

- construction based on a three-horizontal-frame system. The system is moved by a precise, double scissor lift,
- low speed winch with winding lowers and lifts the construction,
- 100% repeatability,
- silent and smooth rope drive,
- covering in black, white, silver powder coating (of custom – other colours available. From RAL palette),
- aesthetic and precise finish.



Dimensions	Max range	Max lifting weight	Unit weight	Rated voltage/frequency
680x660x30 mm (+ H projector)	390 mm	50 kg	23 kg	230 V/50 Hz