

**RAVELL®**

**CEILING LIFT WS-393**



**The RAVELL® WS-393** ceiling lift lowers multimedia projector suspended from the ceiling to it`s working position. It increases the aesthetic appearance of the room causing, the projector to remain invisible until it is in use.

Additionally, the projector is protected from unwanted operations.

**APPLIANCE:**

- SLIM, for home cinema – operating range 0-390 mm

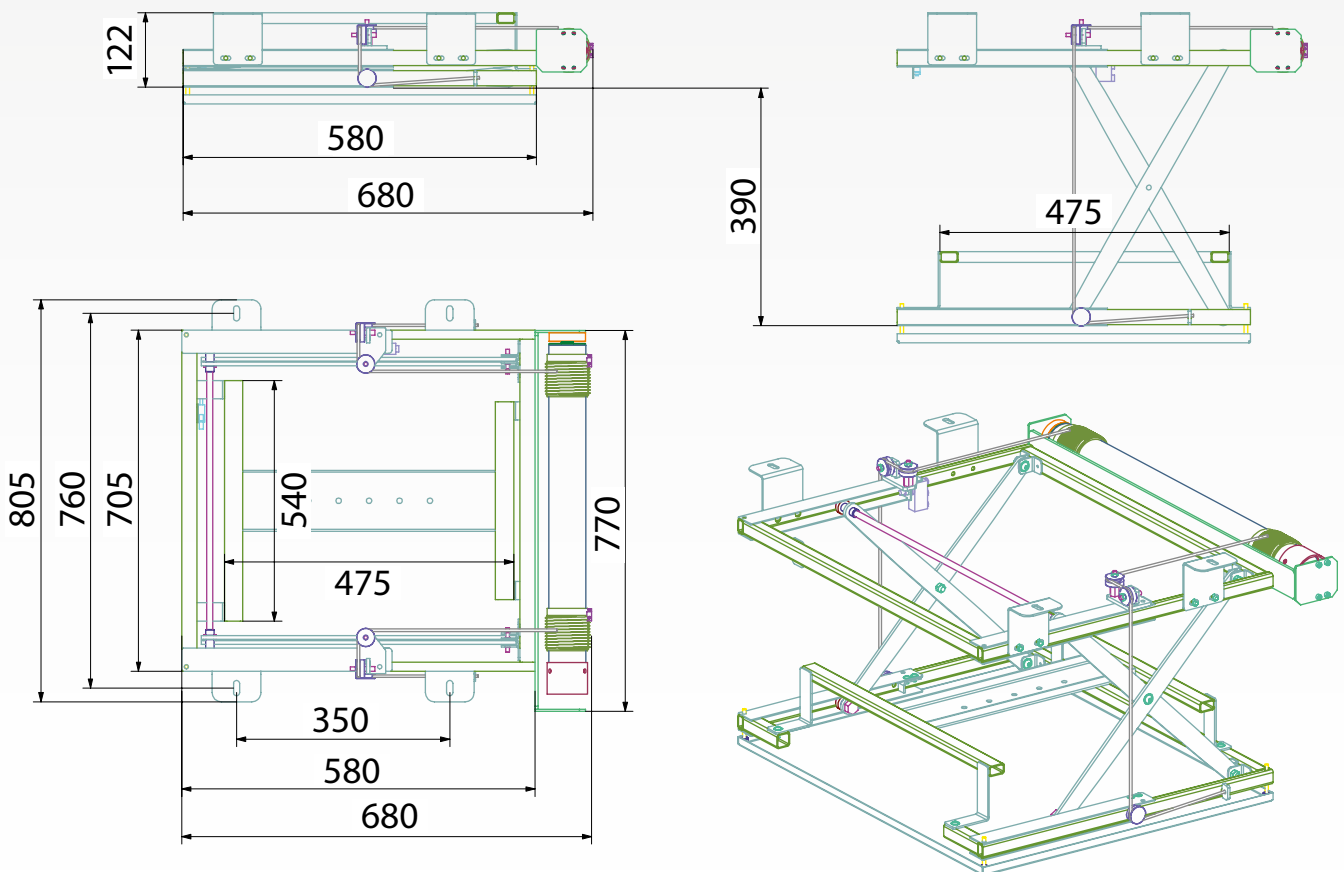


**ADDITIONAL ACCESSORIES:**

- required length assembly spacers,
- wireless control IR, RF or RS-232,
- projector masking,
- safety and precision is guaranteed by a double limit switch system,
- easy to operate.

**MAIN FEATURES:**

- construction based on a three-horizontal-frame system. The system is moved by a precise, double scissor lift,
- low speed winch with winding lowers and lifts the construction,
- 100% repeatability,
- silent and smooth rope drive,
- covering in black, white, silver powder coating (of custom – other colours available. From RAL palette),
- aesthetic and precise finish.



| Dimensions                       | Max range | Max lifting weight | Unit weight | Rated voltage/frequency |
|----------------------------------|-----------|--------------------|-------------|-------------------------|
| 805x660x30 mm<br>(+ H projector) | 390 mm    | 50 kg              | 25 kg       | 230 V/50 Hz             |