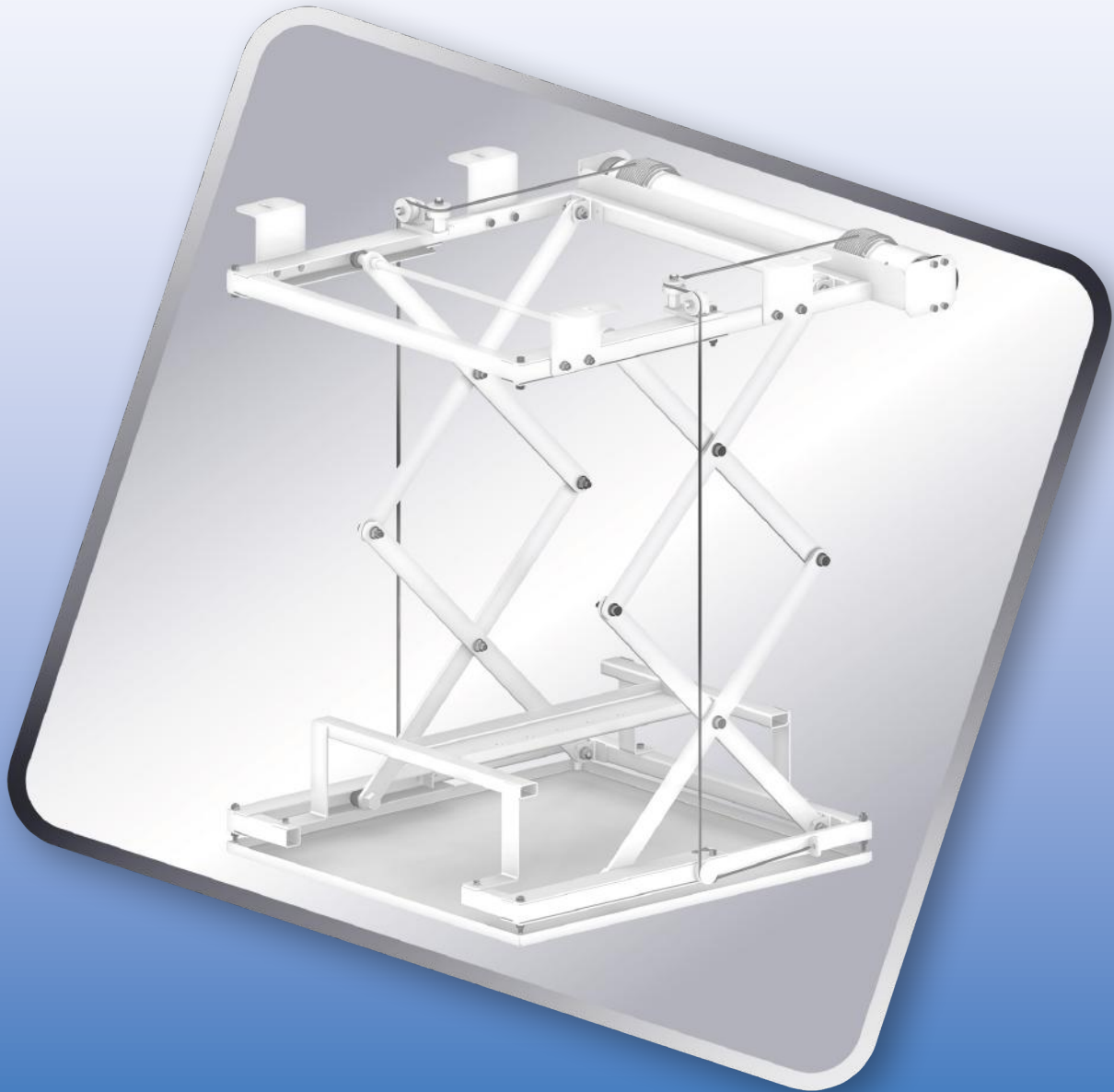


RAVELL®

CEILING LIFT WS-803



The RAVELL® WS-803 ceiling lift lowers multimedia projector suspended from the ceiling to it`s working position. It increases the aesthetic appearance of the room causing, the projector to remain invisible until it is in use.

Additionally, the projector is protected from unwanted operations.

APPLIANCE:

- SLIM, for home cinema – operating range 0-800 mm





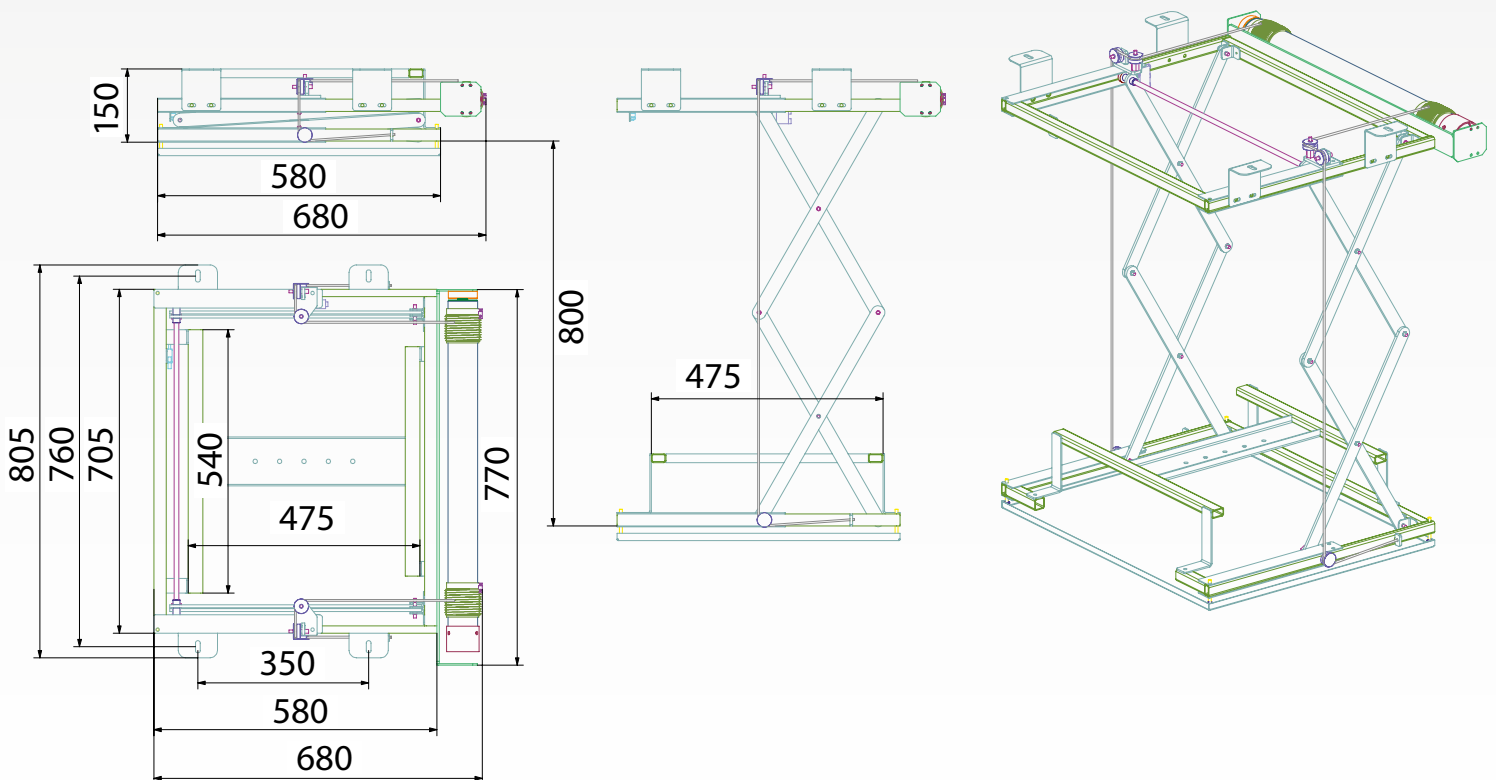
CEILING LIFT WS-803

ADDITIONAL ACCESSORIES:

- required length assembly spacers,
- wireless control IR, RF or RS-232,
- projector masking,
- safety and precision is guaranteed by a double limit switch system,
- easy to operate.

MAIN FEATURES:

- construction based on a three-horizontal-frame system. The system is moved by a precise, double scissor lift,
- low speed winch with winding lowers and lifts the construction,
- 100% repeatability,
- silent and smooth rope drive,
- covering in black, white, silver powder coating (of custom – other colours available. From RAL palette),
- aesthetic and precise finish.



Dimensions	Max range	Max lifting weight	Unit weight	Rated voltage/frequency
805x680x30 mm (+ H projector)	800 mm	50 kg	30 kg	230 V/50 Hz